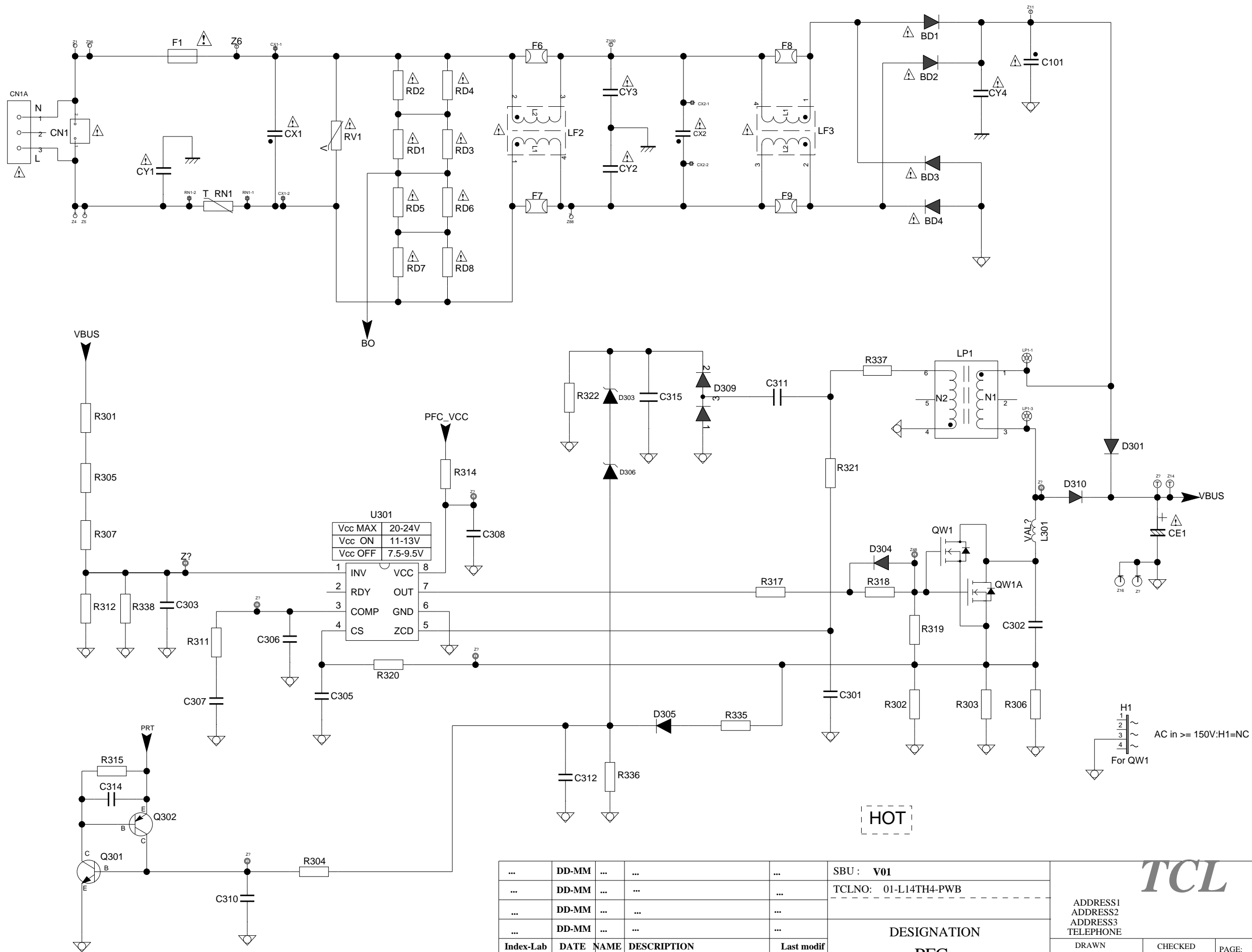


THIS DRAWING CANNOT BE COMMUNICATED TO UNAUTHORIZED PERSONS UNLESS PERMITTED IN WRITING



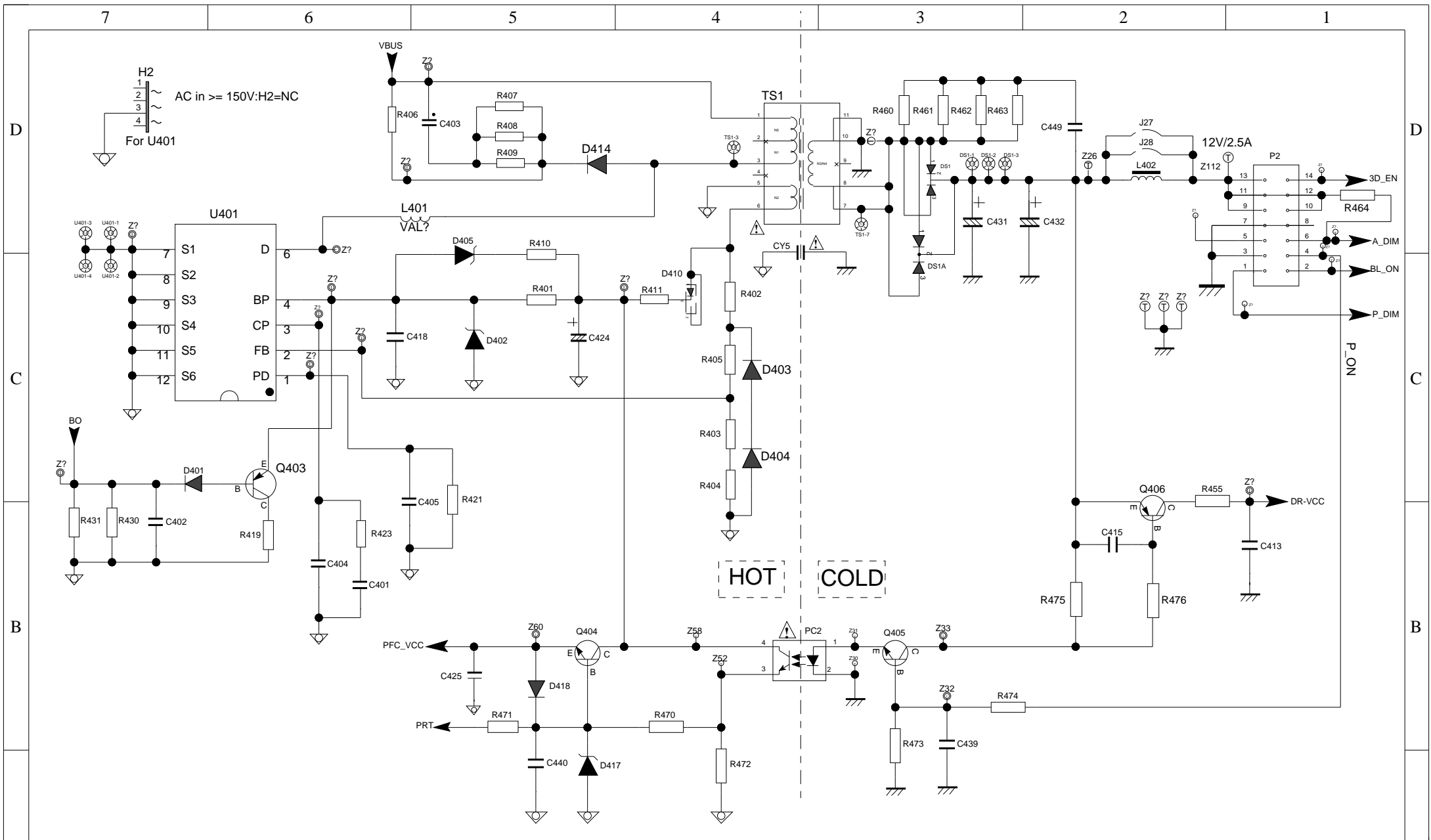
| | | | | | |
|------------------------------|-------|------|-------------|------------|----------------------|
| ... | DD-MM | ... | ... | ... | SBU : V01 |
| ... | DD-MM | ... | ... | ... | TCLNO: 01-L14TH4-PWB |
| ... | DD-MM | ... | ... | ... | DESIGNATION PFC |
| ... | DD-MM | ... | ... | ... | |
| Index-Lab | DATE | NAME | DESCRIPTION | Last modif | |
| Last saved : 8-21-2017_16:06 | | | | | |

TCL

ADDRESS1
ADDRESS2
ADDRESS3
TELEPHONE

| | | |
|-------|--------------|---------|
| DRAWN | CHECKED | PAGE: 1 |
| ON: | ON: DD-MM-YY | OF : 3 |
| BY: | BY: | |

THIS DRAWING CANNOT BE COMMUNICATED TO UNAUTHORIZED PERSONS COPIEDUNLESS PERMITTED IN WRITING



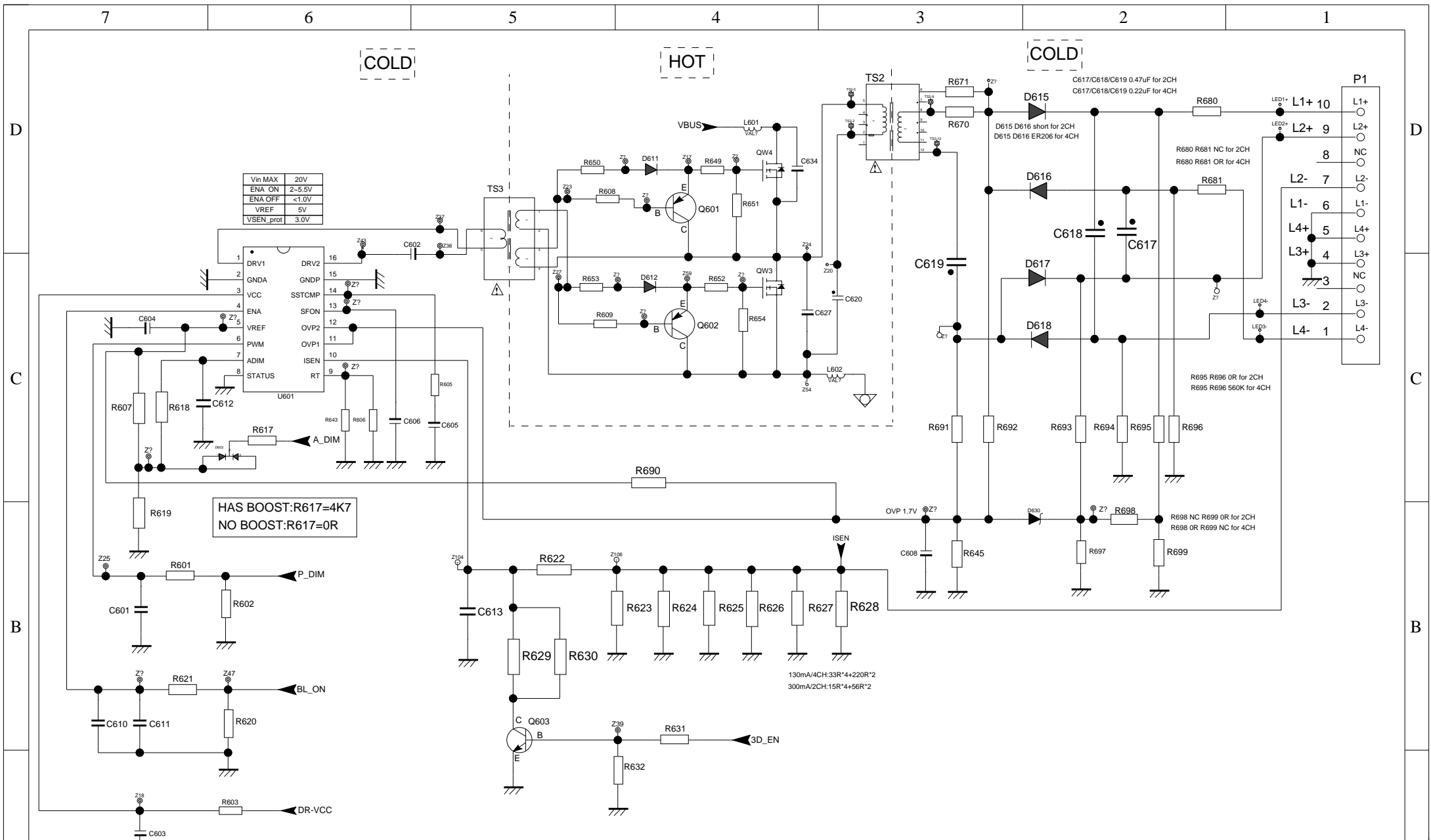
| Index-Lab | DATE | NAME | DESCRIPTION | Last modif |
|-------------------------------------|------|------|-------------|------------|
| Last saved : 9-15-2017_14:06 | | | | |

| |
|--------------------------------|
| SBU : V01 |
| TCLNO: 01-L14TH4-PWB |
| DESIGNATION LNK6768V |

TCL

| | | |
|------------------------------|-----------------------|-------------------|
| DRAWN ON: DD-MM-YY BY: | CHECKED ON: BY: | PAGE: 2 OF : 3 |
|------------------------------|-----------------------|-------------------|

THIS DRAWING CANNOT BE COMMUNICATED TO UNAUTHORIZED PERSONS COPIEDUNLESS PERMITTED IN WRITING



| Index-Lab | DATE | NAME | DESCRIPTION | Last modif |
|-----------|------|------|-------------|------------|
| | | | | |

Last saved : 9-15-2017_14:07

SBU : V01
 TCLNO: 01-L14TH4-PWB

 DESIGNATION
LLC

TCL

| | | | |
|------------------------------|-----------------------|-------------------|--|
| DRAWN ON: DD-MM-YY BY: | CHECKED ON: BY: | PAGE: 3 OF : 3 | |
|------------------------------|-----------------------|-------------------|--|